

LM Guide with Extremely heavy load capacity **JUP**

Advantages

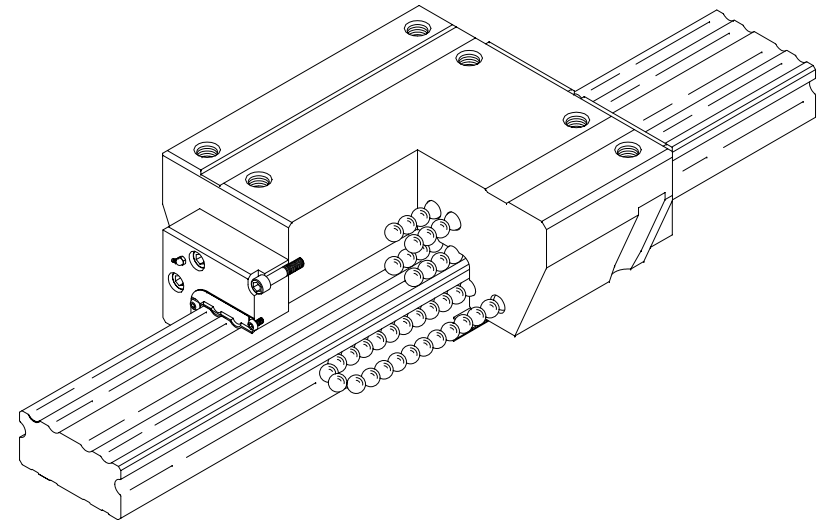
■ **Max. load capacity 780t per one block**
4 raceways in radial direction can be loaded by 780 t max. per one block.

■ **Low friction**
Even by loading with heavy load, the block can move by small force because of low friction factor of 0.01.

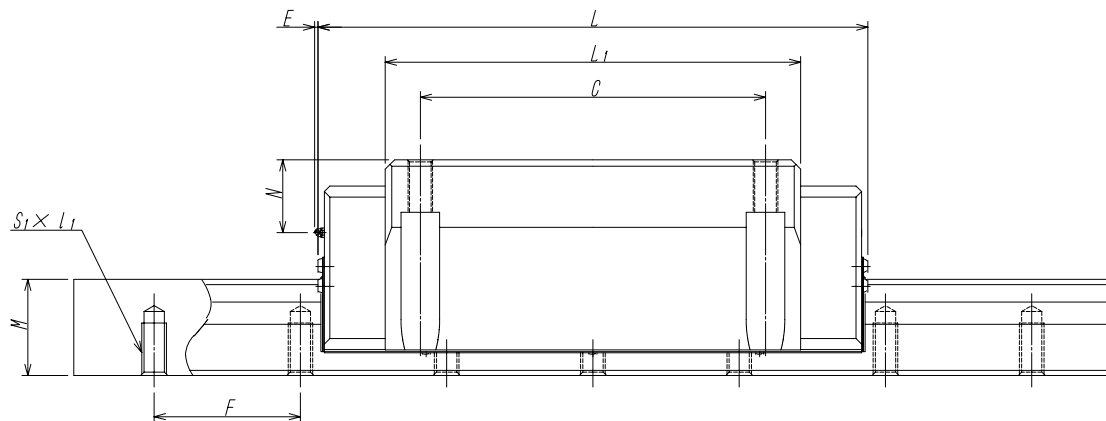
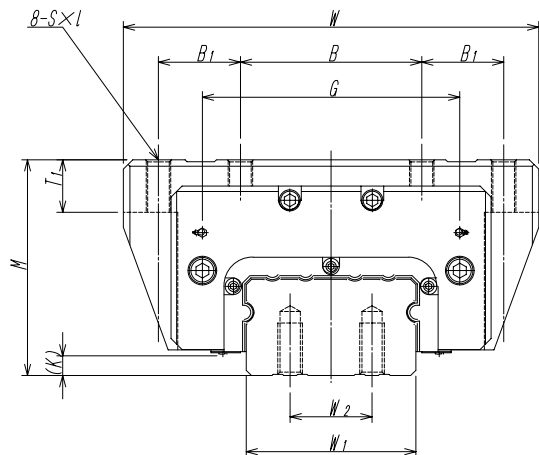
Dimensions

Unit: mm

Modell No.	Height	Block Width	Block Length	Rail Width
JUP250A	170	330	435	130
JUP385A	210	410	535	160
JUP500A	235	465	600	180
JUP780A	290	560	740	230



Type A

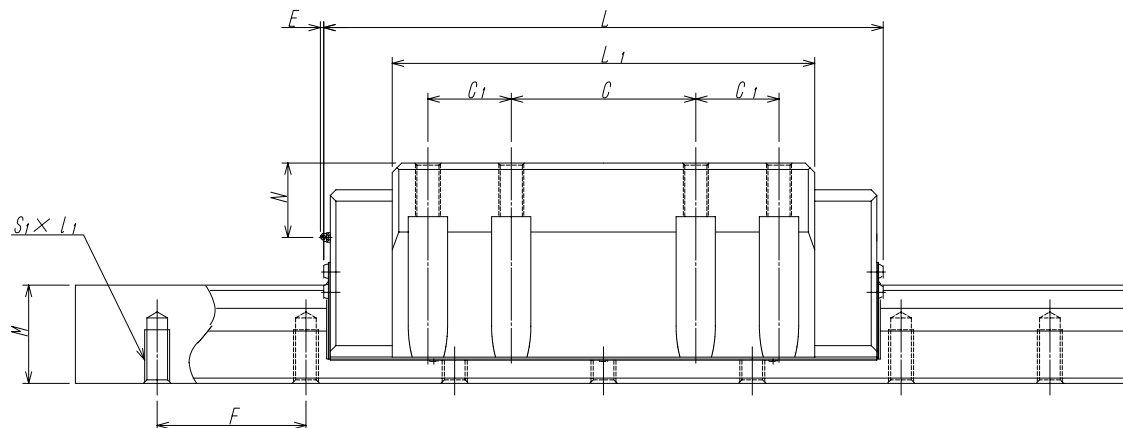
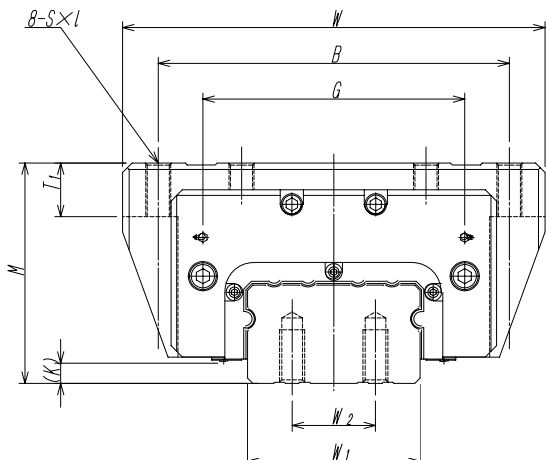


Modell No.	Outer Dimensions			LM Block Dimensions (mm)										
	M	W	L	B	B1	C	S x l	L ₁	T ₁	K	N	E	G	Grease nipple
JUP250A	170	330	435	150	60	270	M20 x 50	330	50	12	55	9	160	B-PT1/4
JUP385A	210	410	535	180	80	340	M24 x 60	410	60	15	65	9	210	B-PT1/4
JUP500A	235	465	600	200	90	380	M27 x 60	465	60	17	75	9	260	B-PT1/4
JUP780A	290	560	740	250	110	470	M30 x 65	560	65	18	100	8	340	B-PT1/4

Modell No.	Rail Dimensions (mm)					Ball size		No. of loaded balls	Static Load Rating (t)		Dynamic Load Rating (t)		Weight	
	W ₁	W ₂	M ₁	F	S ₁ x l ₁	(mm)	(inch)		radial	reverse radial	radial	reverse radial	Block (kg)	Rail (kg/m)
JUP250A	130	65	70	120	M24 x 36	16.669	21/32	19	253	89	118	51	110	70
JUP385A	160	80	85	150	M30 x 45	20.638	13/16	19	388	137	186	81	220	110
JUP500A	180	90	98	150	M36 x 55	23.813	15/16	19	517	183	252	110	280	135
JUP780A	230	110	120	200	M36 x 60	30.163	11.875	18	785	278	402	175	530	220

Ultra High Load LM Guide JUP

Type B



Modell No.	Outer Dimensions			LM Block Dimensions (mm)											Grease nipple
	M	W	L	B	C	C ₁	S x I	L ₁	T ₁	K	N	E	G		
JUP250B	170	330	435	270	150	60	M20 x 50	330	50	12	55	9	160	B-PT1/4	
JUP385B	210	410	535	340	180	80	M24 x 60	410	60	15	65	9	210	B-PT1/4	
JUP500B	235	465	600	380	200	90	M27 x 60	465	60	17	75	9	260	B-PT1/4	
JUP780B	290	560	740	470	250	110	M30 x 65	560	65	18	100	8	340	B-PT1/4	

Modell No.	Rail Dimensions (mm)				Ball size		No. of loaded balls	Static Load Rating (t)		Dynamic Load Rating (t)		Weight		
	W ₁	W ₂	M ₁	F	S ₁ x I ₁	(mm)		(inch)	radial	reverse radial	radial	reverse radial	Block (kg)	Rail (kg/m)
JUP250B	130	65	70	120	M24 x 36	16.669	21/32	19	253	89	118	51	110	70
JUP385B	160	80	85	150	M30 x 45	20.638	13/16	19	388	137	186	81	220	110
JUP500B	180	90	98	150	M36 x 55	23.813	15/16	19	517	183	252	110	280	135
JUP780B	230	110	120	200	M36 x 60	30.163	11.875	18	785	278	402	175	530	220